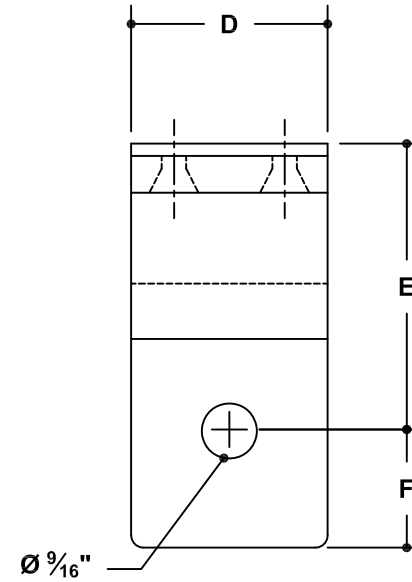
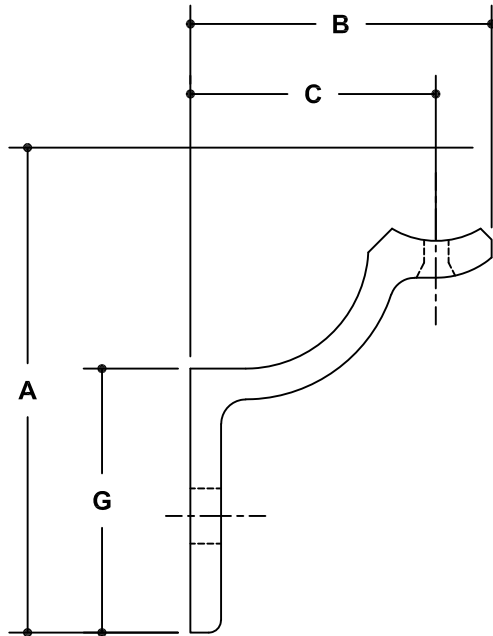


NOTE: DIMENSIONS LOCATED IN BOXES ARE COMMON  
SETBACK DIMENSIONS FOR EACH FITTING



## #82E Extruded Handrail Bracket

SCALE: HALF

| ENGLISH UNITS (Inches) |      |      |      |      |      |      |      |
|------------------------|------|------|------|------|------|------|------|
| PIPE SIZE              | A    | B    | C    | D    | E    | F    | G    |
| 1½" (8)                | 4.94 | 3.00 | 2.50 | 2.00 | 2.80 | 1.18 | 2.69 |
| 1¼" (7)                | 4.83 | 3.00 | 2.50 | 2.00 | 2.80 | 1.18 | 2.69 |

| METRIC UNITS (mm) |     |    |    |    |    |    |    |
|-------------------|-----|----|----|----|----|----|----|
| PIPE SIZE         | A   | B  | C  | D  | E  | F  | G  |
| 1½" (8)           | 125 | 76 | 64 | 51 | 71 | 30 | 68 |
| 1¼" (7)           | 123 | 76 | 64 | 51 | 71 | 30 | 68 |