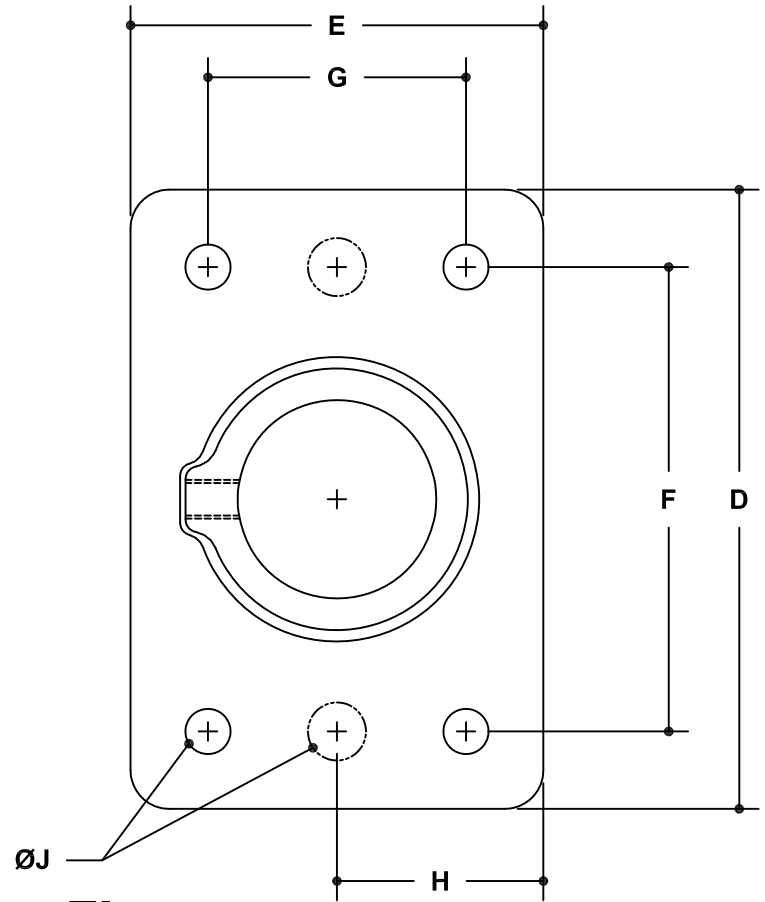
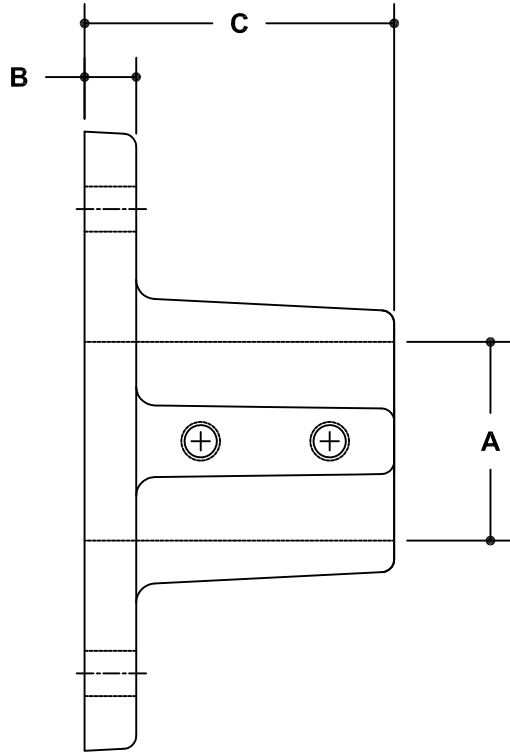


NOTE: DIMENSIONS LOCATED IN BOXES ARE COMMON
SETBACK DIMENSIONS FOR EACH FITTING



#48SB Rectangular Floor Flange

SCALE: HALF

ITEM No. : 28880 2 HOLE

ITEM No. : 28890 4 HOLE

ENGLISH UNITS (Inches)									
PIPE SIZE	A	B	C	D	E	F	G	H	J
1½"	1.93	0.50	3.00	6.00	4.00	4.50	2.50		0.44
1½"	1.93	0.50	3.00	6.00	4.00	4.50		2.00	0.56

METRIC UNITS (mm)									
PIPE SIZE	A	B	C	D	E	F	G	H	J
1½"	49	13	76	152	102	114	64		11
1½"	49	13	76	152	102	114		51	14