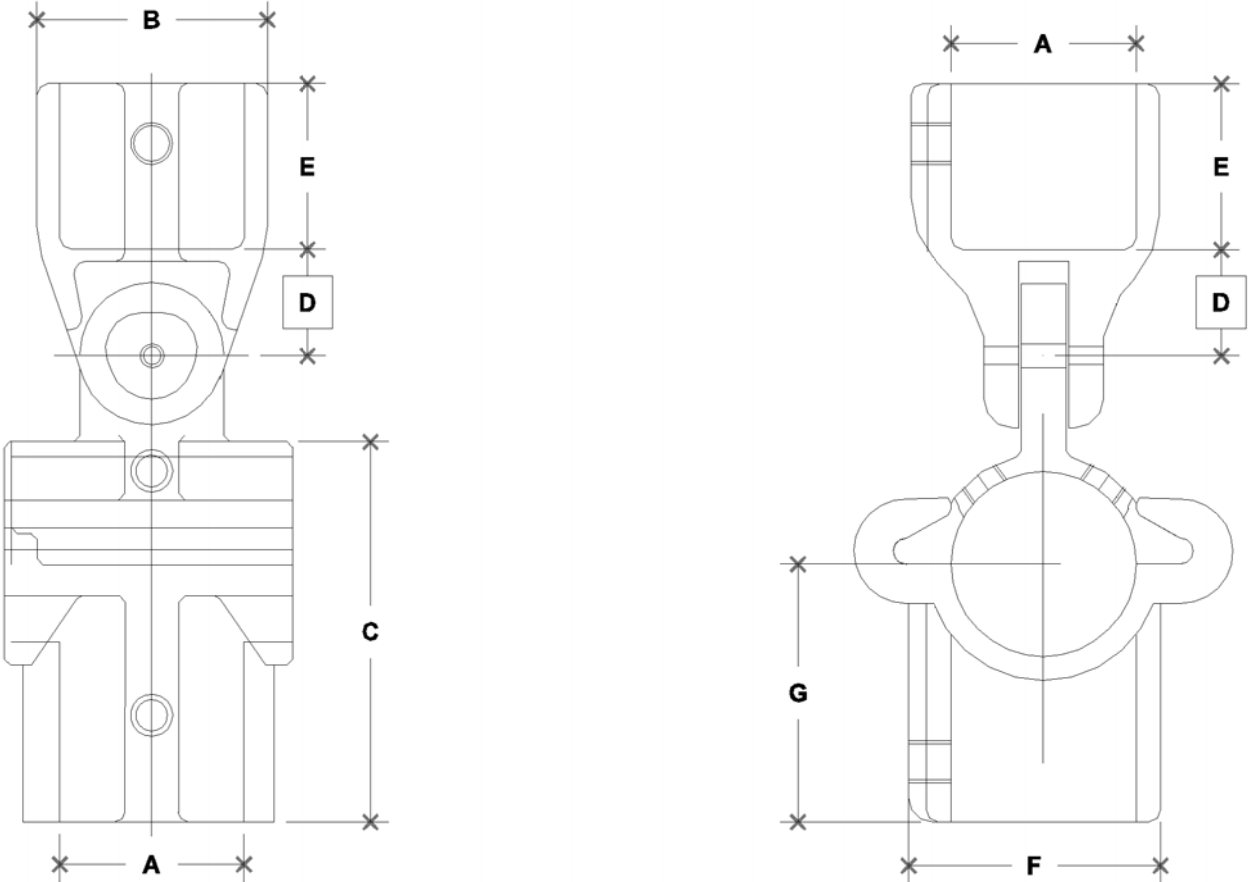


NOTE: DIMENSIONS LOCATED IN BOXES ARE COMMON  
SETBACK DIMENSIONS FOR EACH FITTING



**#23S Modular Adjustable Cross**

SCALE: HALF

ENGLISH UNITS (Inches)							
PIPE SIZE	A	B	C	D	E	F	G
2"	-	-	-	-	-	-	-
1½"	1.92	2.41	4.00	1.11	1.73	2.61	2.70
1¼"	-	-	-	-	-	-	-
1"	-	-	-	-	-	-	-
¾"	-	-	-	-	-	-	-

METRIC UNITS (mm)							
PIPE SIZE	A	B	C	D	E	F	G
2"	-	-	-	-	-	-	-
1½"	49	61	102	28	44	66	69
1¼"	-	-	-	-	-	-	-
1"	-	-	-	-	-	-	-
¾"	-	-	-	-	-	-	-