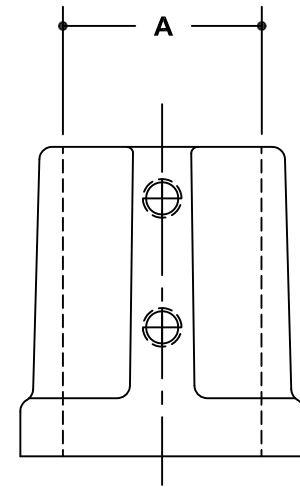
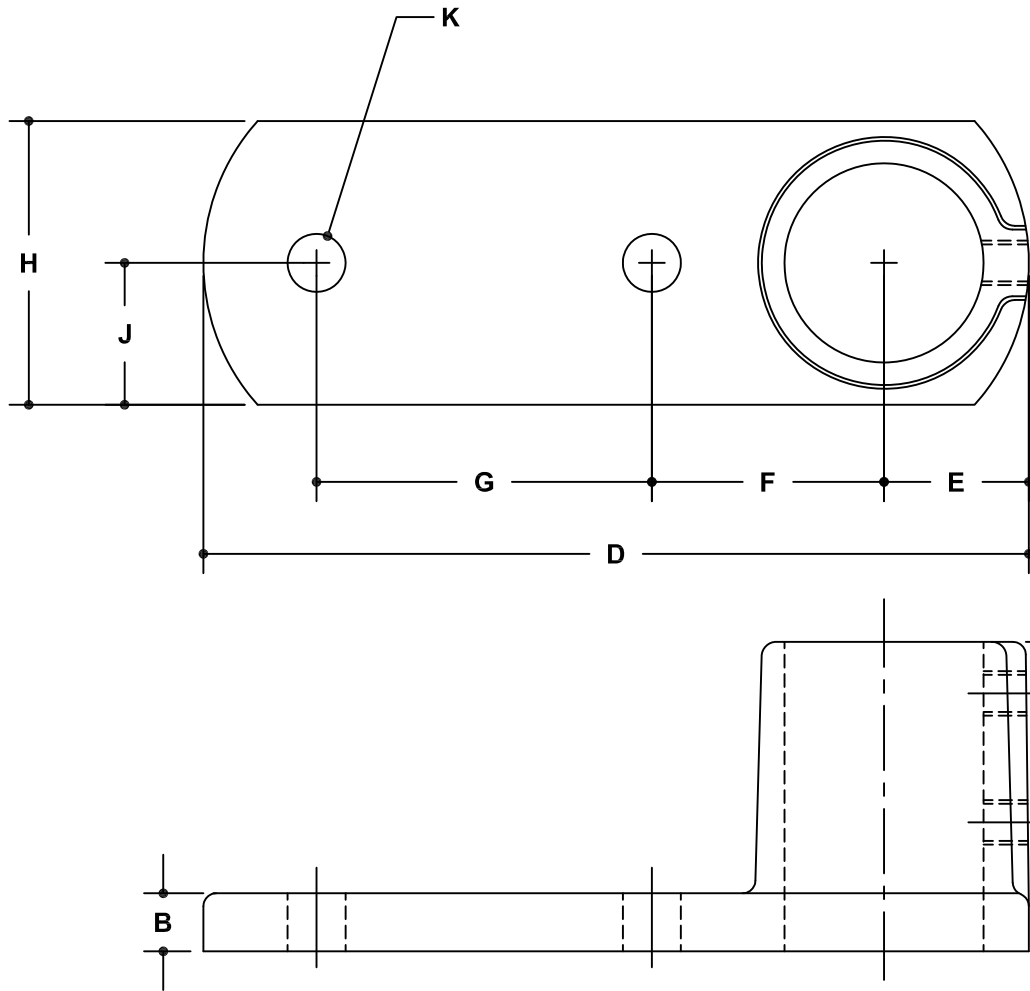


NOTE: DIMENSIONS LOCATED IN BOXES ARE COMMON
SETBACK DIMENSIONS FOR EACH FITTING



#46EXT Base Flange

SCALE: HALF

ENGLISH UNITS (Inches)										
PIPE SIZE	A	B	C	D	E	F	G	H	J	K
1½"	1.93	0.56	3.00	8.00	1.40	2.25	3.25	2.75	1.38	0.56

METRIC UNITS (mm)										
PIPE SIZE	A	B	C	D	E	F	G	H	J	K
1½"	49	14	76	203	36	57	83	70	35	14