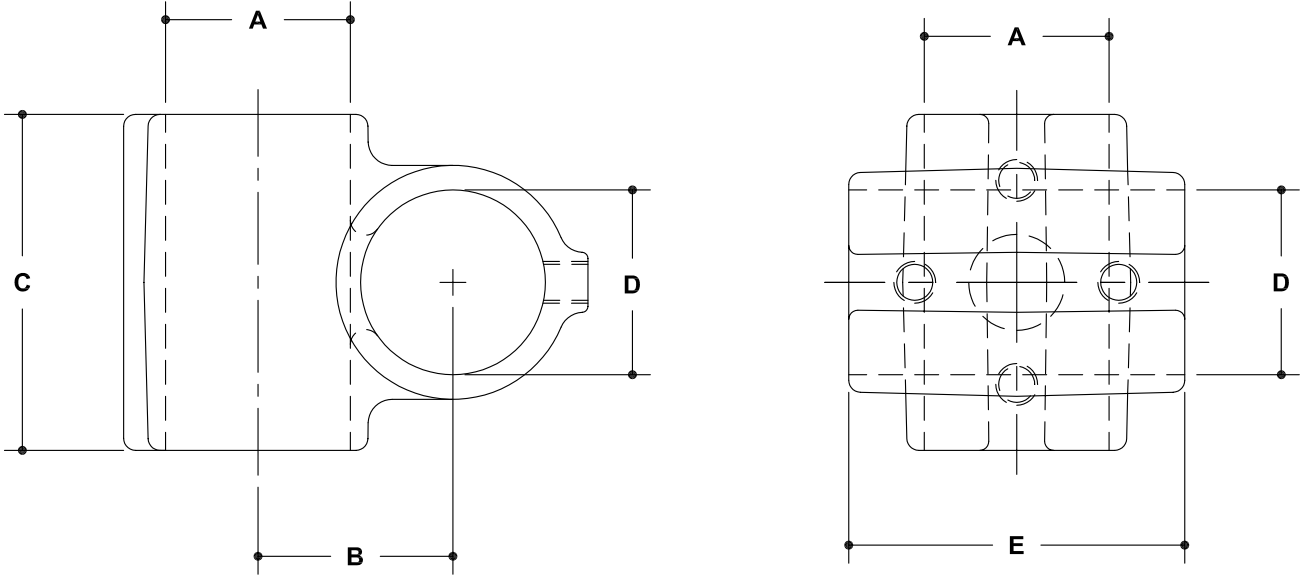


NOTE: DIMENSIONS LOCATED IN BOXES ARE COMMON
SETBACK DIMENSIONS FOR EACH FITTING



#10-67 Offset Cross

SCALE: HALF

ENGLISH UNITS (Inches)							
PIPE SIZE	A	B	C	D	E	F	G
1-1/4"	1.68	1.61	3.50				
1"				1.34	3.50		

METRIC UNITS (mm)							
PIPE SIZE	A	B	C	D	E	F	G
1-1/4"	43	41	89				
1"				34	89		