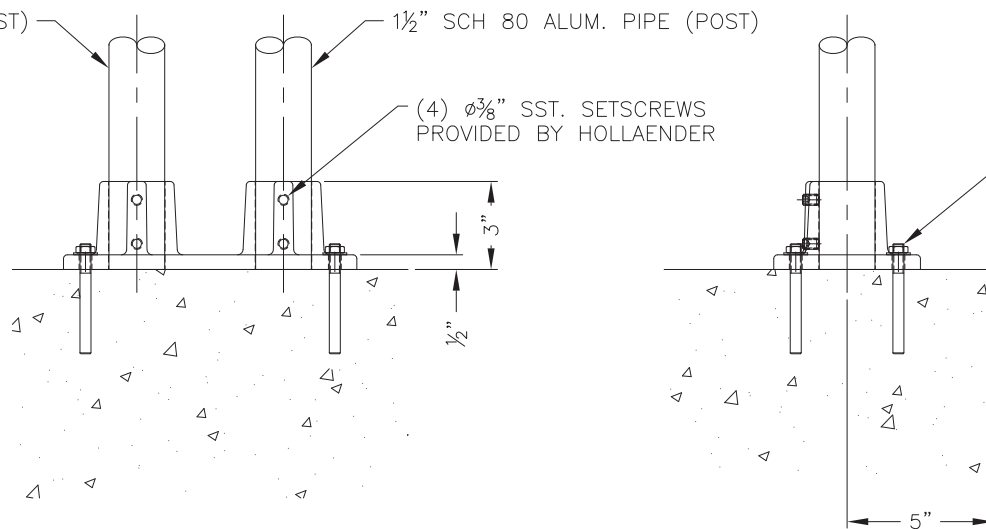


1 1/2" SCH 80 ALUM. PIPE (POST)



(4)  $\phi 3/8$ " SST. SETSCREWS PROVIDED BY HOLLAENDER

(4)  $\phi 3/8$ " CHEMICAL ANCHOR WITH MINIMUM  $2 3/4$ " EMBED PROVIDED BY OTHERS. MINIMUM CONCRETE THICKNESS  $3 3/4$ ".

**Hollaender**<sup>®</sup>

STRUCTURAL ENGINEERING GROUP

10285 WAYNE AVENUE  
CINCINNATI, OH 45215-6399

PHONE: (800) 772-8800 FAX: (800) 772-8806

WWW.HOLLAENDER.COM

45D-8 DUAL BARREL FLANGE  
CONCRETE MOUNT DETAIL