

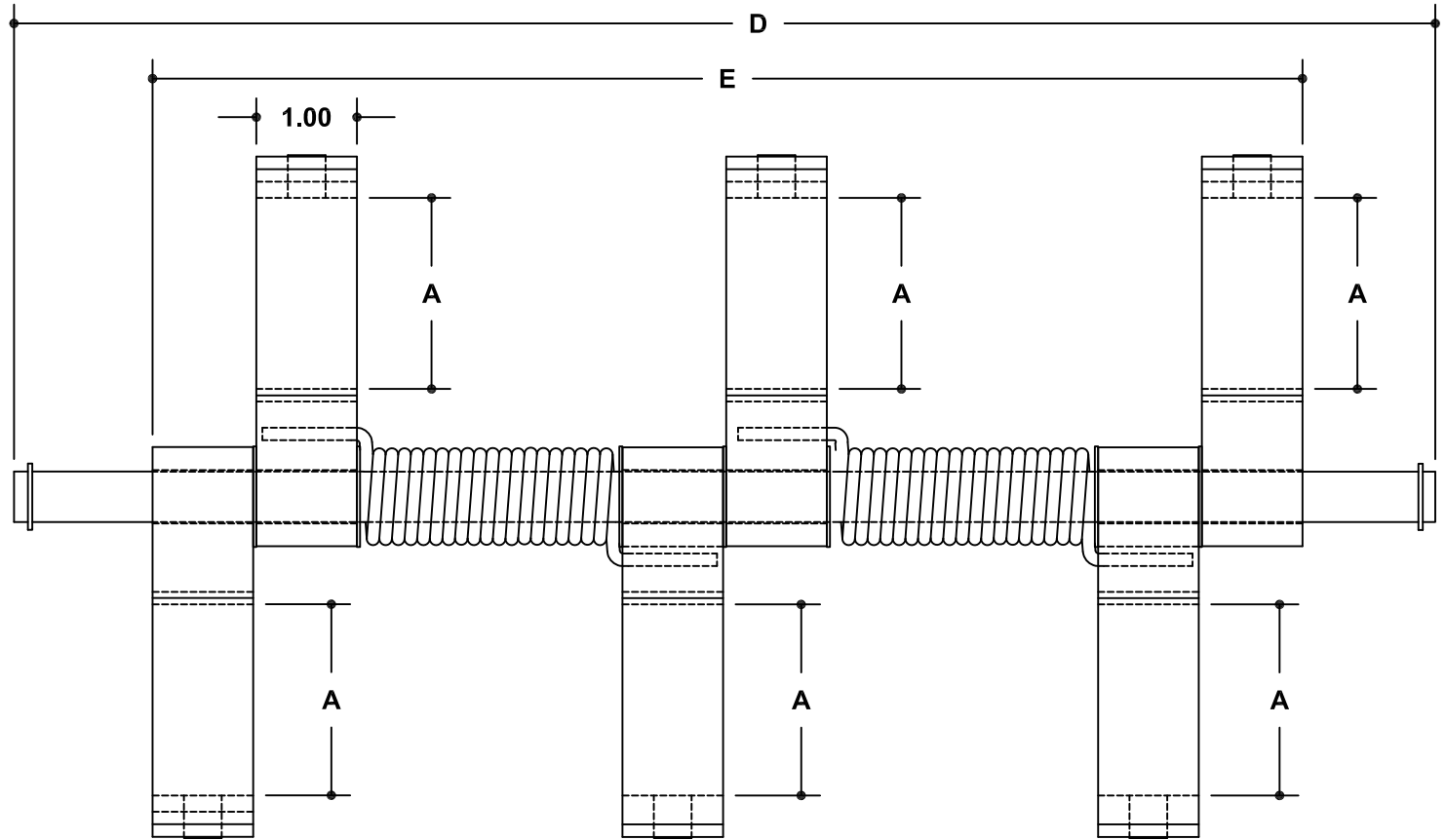
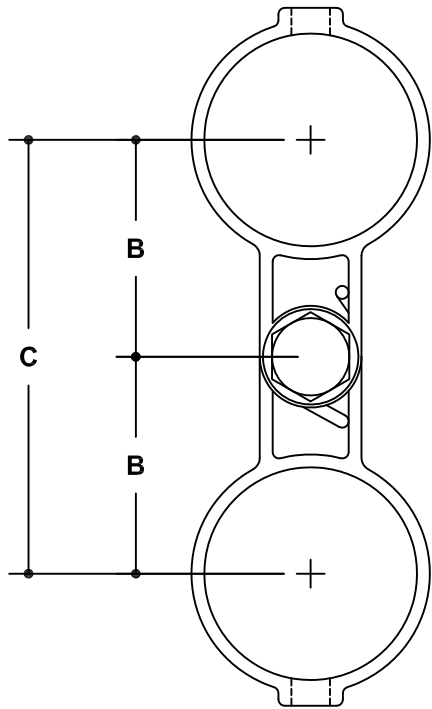
Gate Latch

SCALE: HALF

ENGLISH UNITS (Inches)							
PIPE SIZE	A	B	C	D	E	F	G
2"	4.50	1.63	6.00	2.50	1.69		
1½"	4.50	1.38	5.00	2.50	1.69		
1¼"	4.50	1.38	5.00	2.50	1.69		

METRIC UNITS (mm)							
PIPE SIZE	A	B	C	D	E	F	G
2"	114	41	152	64	43		
1½"	114	35	127	64	43		
1¼"	114	35	127	64	43		

NOTE: DIMENSIONS LOCATED IN BOXES ARE COMMON
SETBACK DIMENSIONS FOR EACH FITTING



Gate Hinge

SCALE: HALF

ENGLISH UNITS (Inches)							
PIPE SIZE	A	B	C	D	E	F	G
2"	2.40	2.18	4.36	14.13	11.19		
1½"	1.93	2.09	4.18	14.13	11.19		
1¼"	1.68	2.09	4.18	14.13	11.19		

METRIC UNITS (mm)							
PIPE SIZE	A	B	C	D	E	F	G
2"	61	55	111	359	284		
1½"	49	53	106	359	284		
1¼"	43	53	106	359	284		