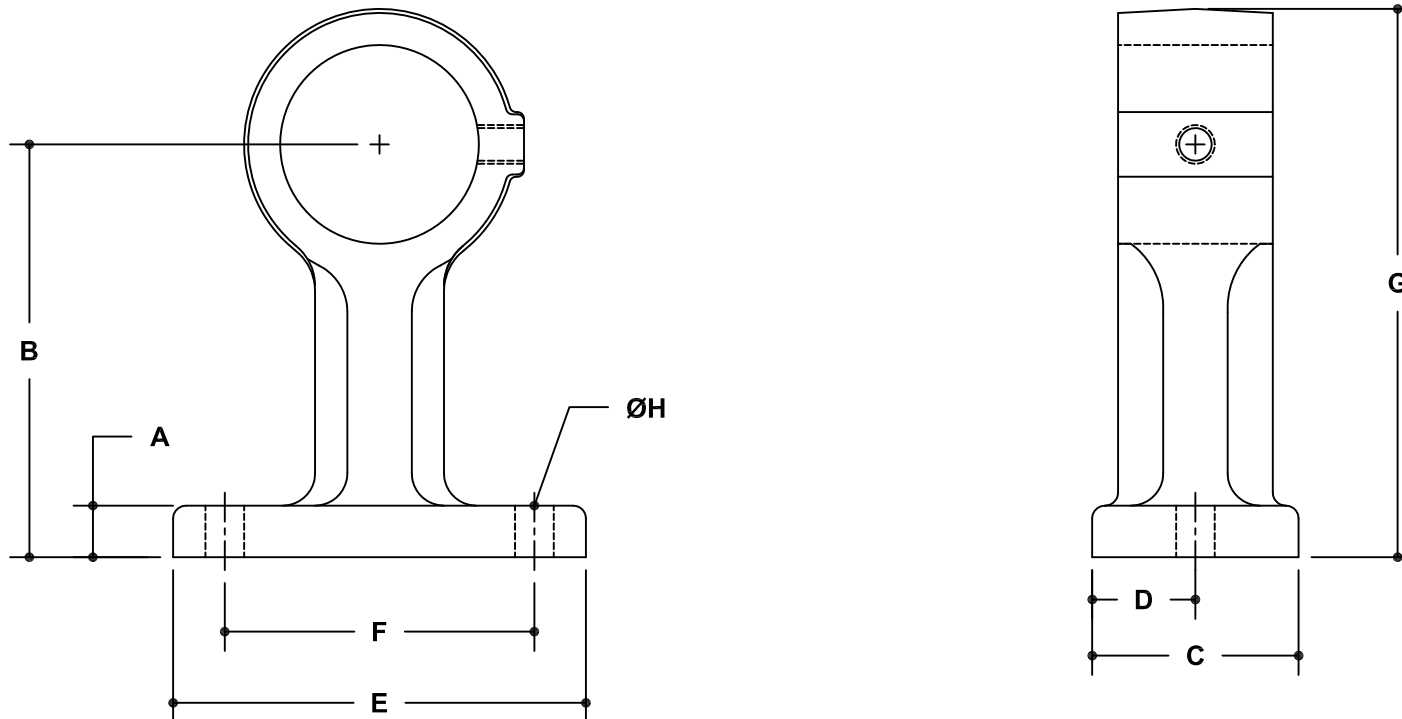


NOTE: DIMENSIONS LOCATED IN BOXES ARE COMMON
SETBACK DIMENSIONS FOR EACH FITTING



#55-4 Offset Wall Bracket (4")

SCALE: HALF

ENGLISH UNITS (Inches)									
PIPE SIZE	A	B	C	D	E	F	G	H	J
1½"	0.50	4.00	2.00	1.00	4.00	3.00	5.31	0.38	

METRIC UNITS (mm)									
PIPE SIZE	A	B	C	D	E	F	G	H	J
1½"	13	102	51	25	102	76	135	10	