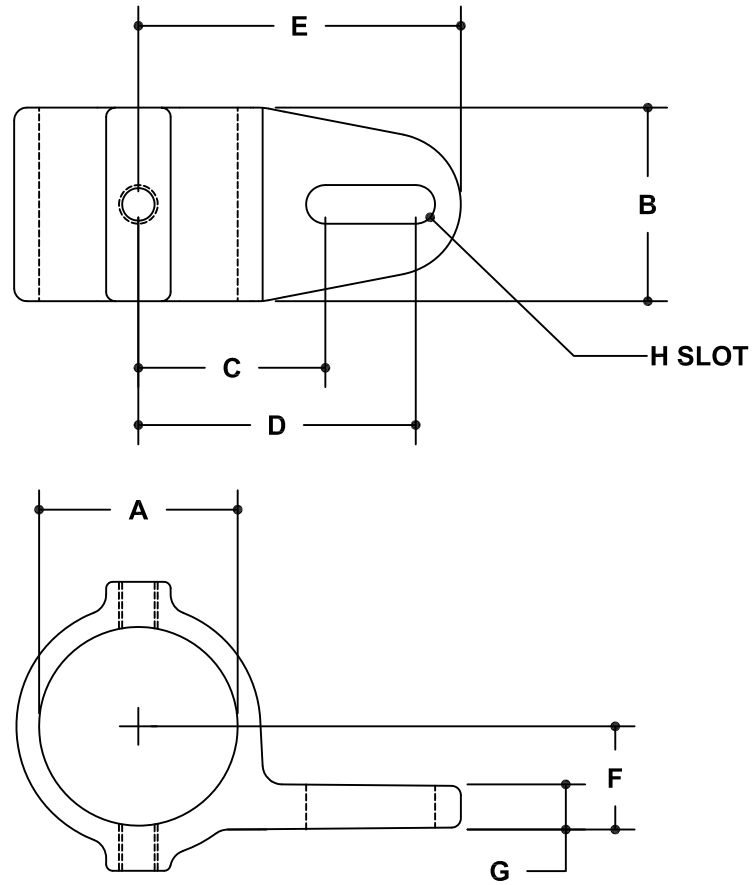


NOTE: DIMENSIONS LOCATED IN BOXES ARE COMMON
SETBACK DIMENSIONS FOR EACH FITTING



#95 Single Tab Bracket

SCALE: HALF

ENGLISH UNITS (Inches)								
PIPE SIZE	A	B	C	D	E	F	G	H
1½"	1.93	1.88	1.81	2.69	3.13	1.00	.44	.38x1.25

METRIC UNITS (mm)								
PIPE SIZE	A	B	C	D	E	F	G	H
1½"	49	48	46	68	79	25	11	10x32