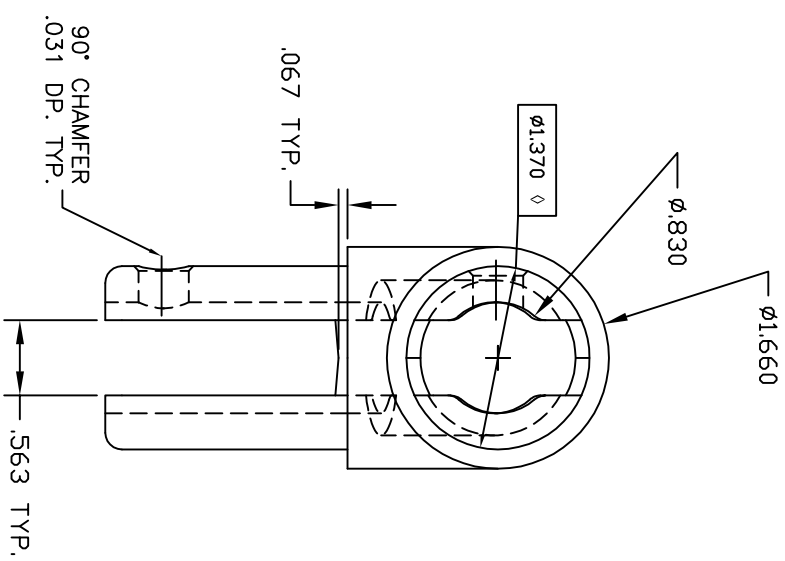
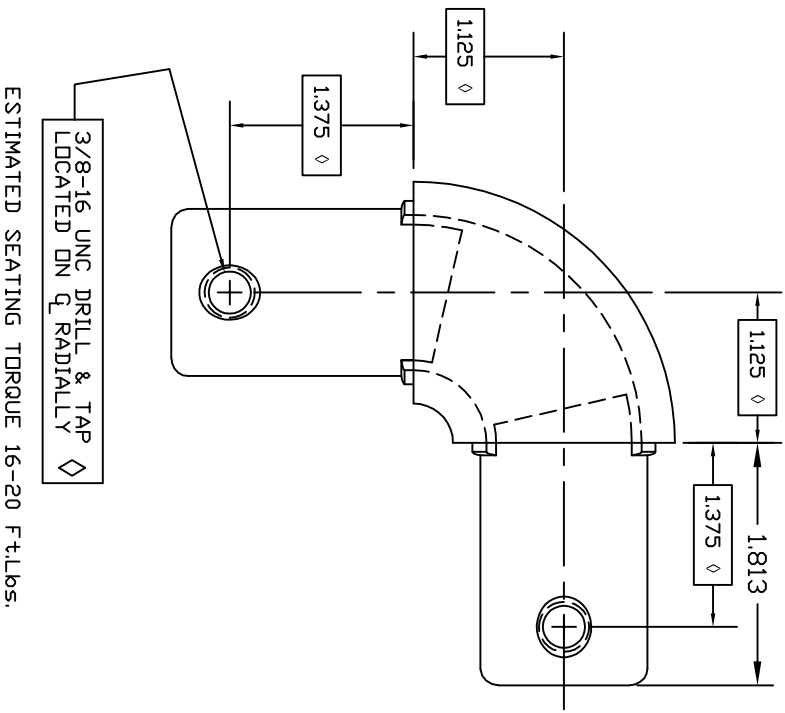


GENERAL NOTES	
1.	ALL DIMENSIONS IN INCHES UN.D.
2.	 - CRITICAL DIMENSION
3.	◇ - MACH. OPERATION REQUIRED TOLERANCE ± .005
4.	
5.	
6.	
7.	



THE HOLLAENDER MFG. CO. CINCINNATI, OHIO 45215			
1-1/4" INTERNA-RAIL ELBOW			
NO. 130F-7 AS MACHINED			
DRAWN BY	Brent W	CHECKED BY	APPROVED BY
MATERIAL	AL 535	FINISH	BURNISH
REV. DATE	3-14-07	REV. MADE BY	FILE NO.
SCALE	FULL	DRAWING NO.	130-7.DWG