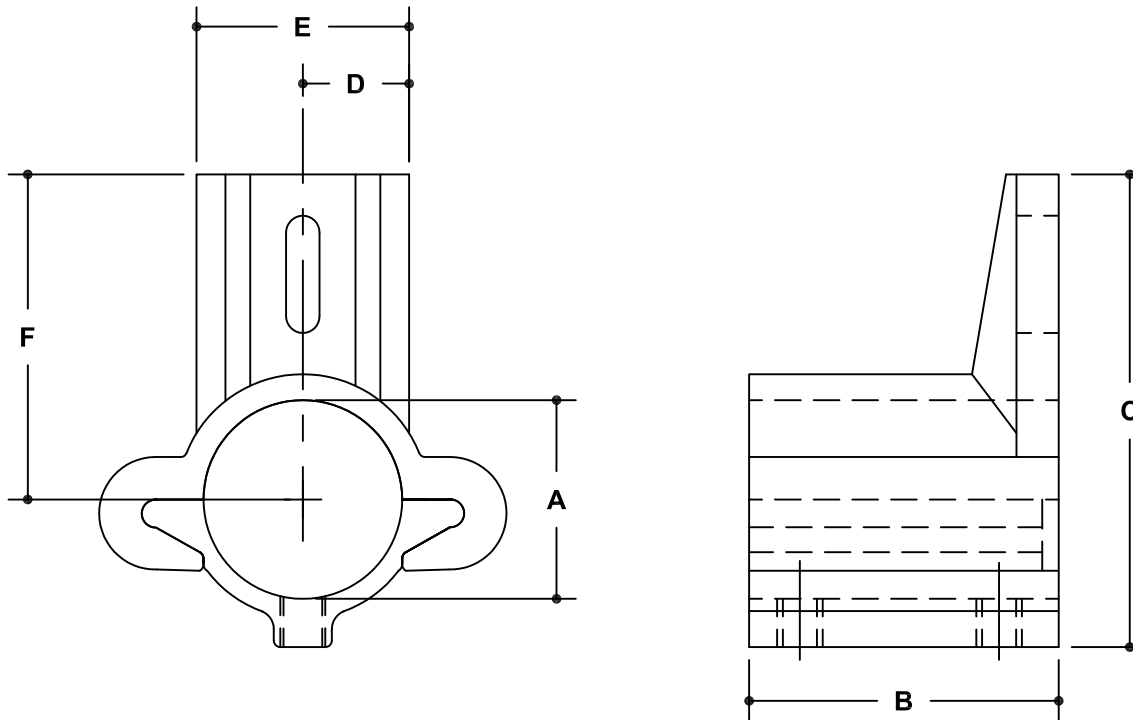


NOTE: REDUCER SLEEVE INCLUDED WITH 1 $\frac{1}{4}$ " SIZE
IS ONE PIECE AND SLIPS OVER PIPE .



#18S Modular Stair Bracket Assembly

SCALE: HALF

ENGLISH UNITS (Inches)							
PIPE SIZE	A	B	C	D	E	F	G
2"	-	-	-	-	-	-	-
1 $\frac{1}{2}$ "	1.93	3.00	4.60	1.03	2.06	3.15	-
1 $\frac{1}{4}$ "	1.68	3.00	4.60	1.03	2.06	3.15	-
1"	-	-	-	-	-	-	-
$\frac{3}{4}$ "	-	-	-	-	-	-	-

METRIC UNITS (mm)							
PIPE SIZE	A	B	C	D	E	F	G
2"	-	-	-	-	-	-	-
1 $\frac{1}{2}$ "	49	76	117	26	52	80	-
1 $\frac{1}{4}$ "	43	76	117	26	52	80	-
1"	-	-	-	-	-	-	-
$\frac{3}{4}$ "	-	-	-	-	-	-	-