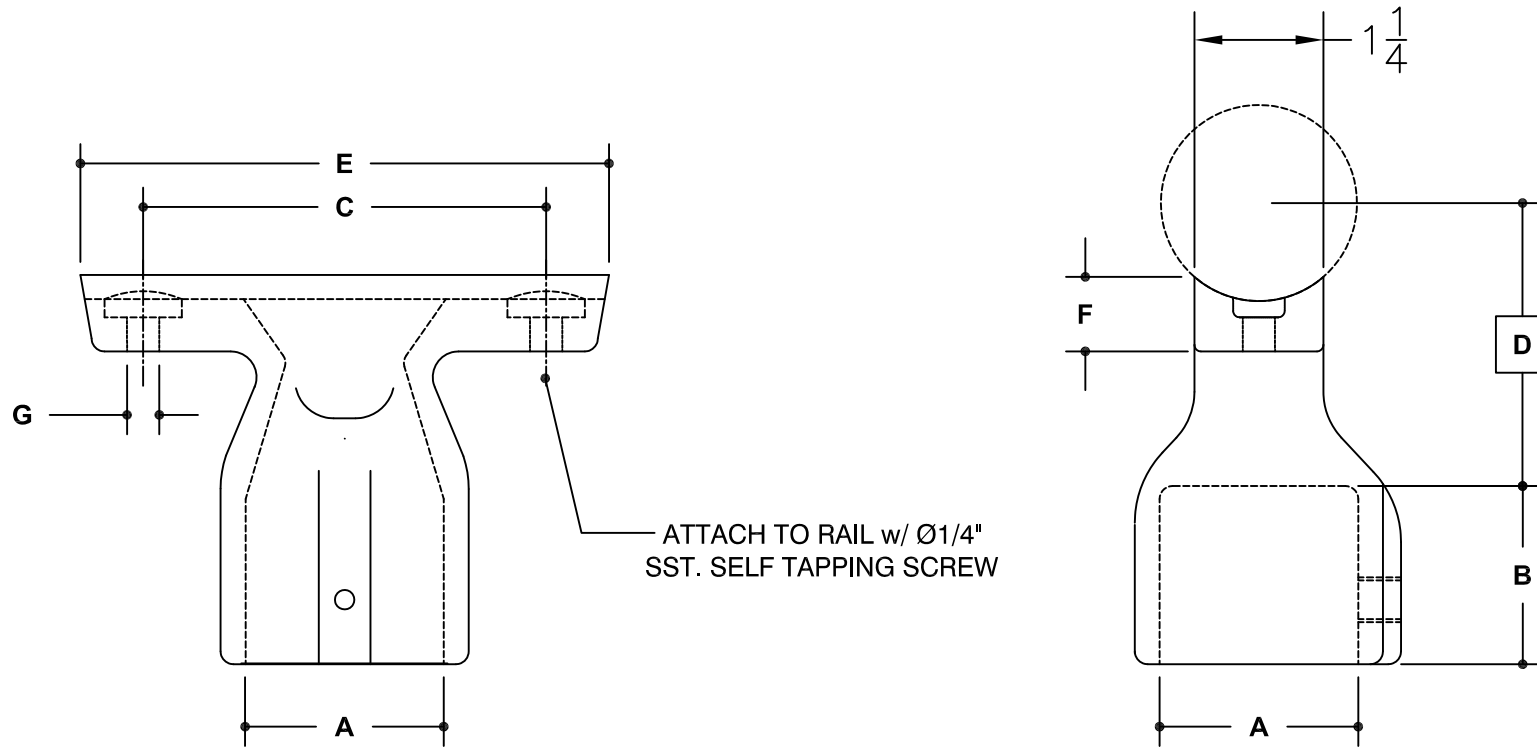


NOTE: DIMENSIONS LOCATED IN BOXES ARE COMMON
SETBACK DIMENSIONS FOR EACH FITTING



#150 Speed Tee

SCALE: HALF

ENGLISH UNITS (Inches)							
PIPE SIZE	A	B	C	D	E	F	G
1½"	1.93	1.75	3.88	2.75	5.13	0.75	0.31

METRIC UNITS (mm)							
PIPE SIZE	A	B	C	D	E	F	G
1½"	49	45	99	70	130	19	8