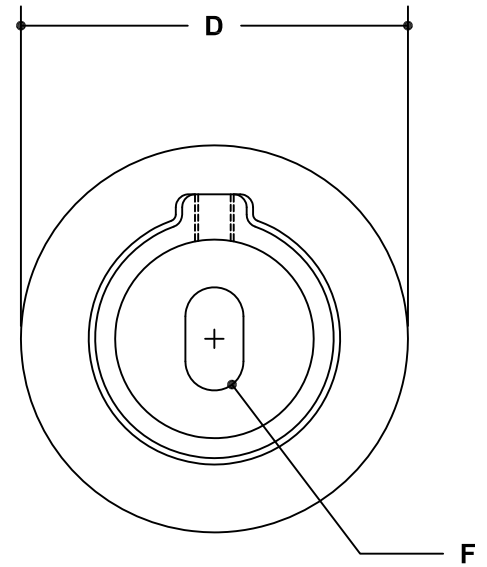
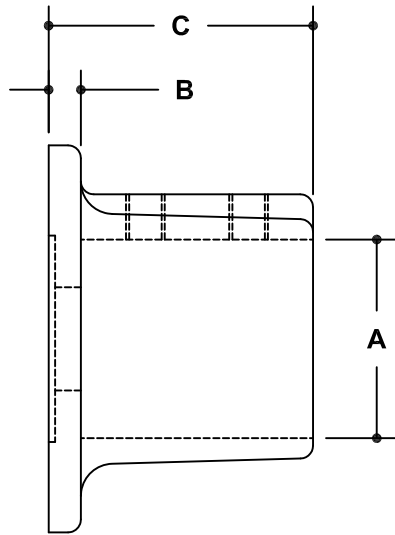


NOTE: DIMENSIONS LOCATED IN BOXES ARE COMMON  
SETBACK DIMENSIONS FOR EACH FITTING



## #43 Round Wall Flange

SCALE: HALF

ENGLISH UNITS (Inches)						
PIPE SIZE	A	B	C	D	E	F
1½"	1.93	0.31	2.56	3.75		0.56 X 1.00
1¼"	1.68	0.31	2.44	3.50		0.53 X 1.00
1"	1.34	0.31	2.13	3.00		0.47 X 0.88
¾"	1.07	0.25	1.75	2.50		0.44ø

METRIC UNITS (mm)						
PIPE SIZE	A	B	C	D	E	F
1½"	49	8	65	95		14 X 25
1¼"	43	8	62	89		13 X 25
1"	34	8	54	76		12 X 22
¾"	27	6	45	64		12ø