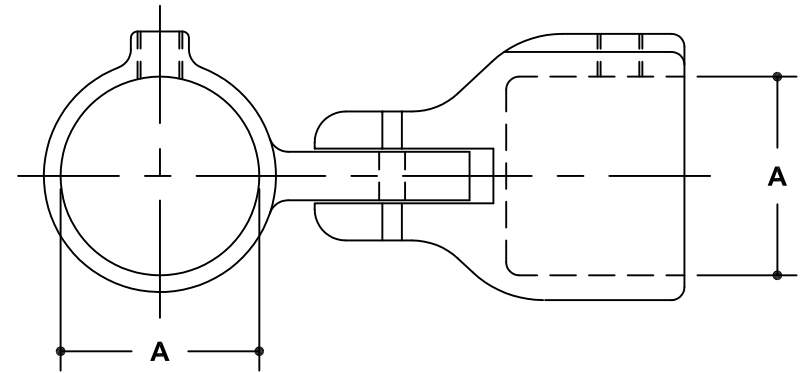
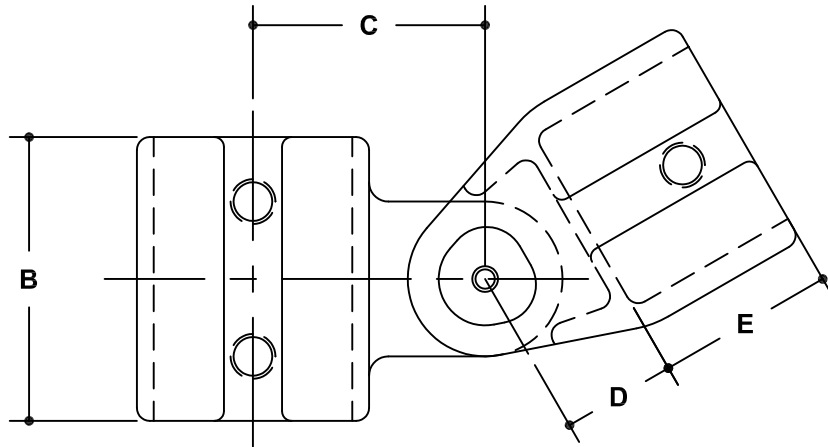


NOTE: DIMENSIONS LOCATED IN BOXES ARE COMMON
SETBACK DIMENSIONS FOR EACH FITTING



#17 Adjustable Elbow or Tee Assembly

SCALE: HALF

ENGLISH UNITS (Inches)							
PIPE SIZE	A	B	C	D	E	F	G
2"	2.41	3.88	2.63	1.13	2.13		
1½"	1.93	2.75	2.25	1.11	1.73		
1¼"	1.68	2.38	2.06	1.13	1.44		
1"	1.33	2.00	1.63	0.86	1.14		
¾"	1.07	2.00	1.38	0.97	0.97		

METRIC UNITS (mm)							
PIPE SIZE	A	B	C	D	E	F	G
2"	61	98	67	29	54		
1½"	49	70	57	28	44		
1¼"	43	60	52	29	37		
1"	34	51	41	22	29		
¾"	27	51	35	25	25		