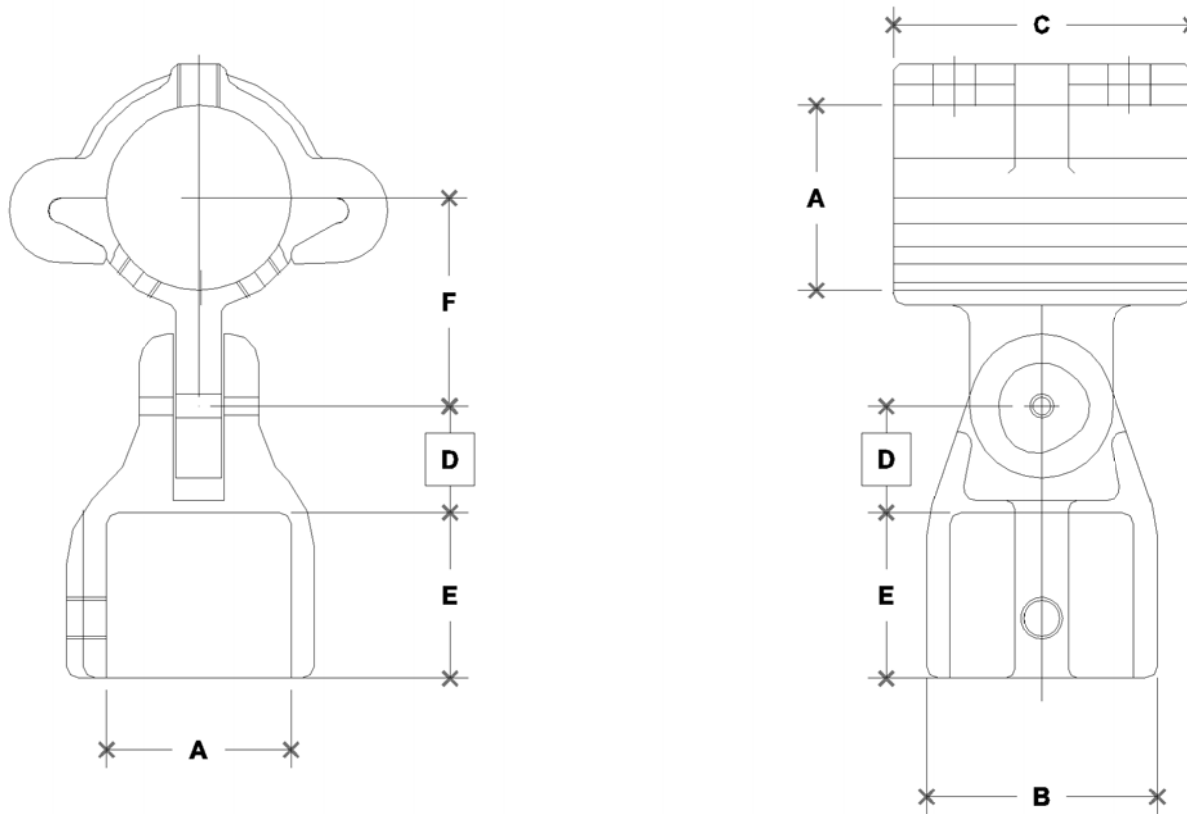


NOTE: DIMENSIONS LOCATED IN BOXES ARE COMMON
SETBACK DIMENSIONS FOR EACH FITTING



#17S Modular Adjustable Tee Assembly

SCALE: HALF

ENGLISH UNITS (Inches)							
PIPE SIZE	A	B	C	D	E	F	G
2"	-	-	-	-	-	-	-
1½"	1.93	2.41	3.10	1.11	1.73	2.17	-
1¼"	-	-	-	-	-	-	-
1"	-	-	-	-	-	-	-
¾"	-	-	-	-	-	-	-

METRIC UNITS (mm)							
PIPE SIZE	A	B	C	D	E	F	G
2"	-	-	-	-	-	-	-
1½"	49	61	78	28	44	55	-
1¼"	-	-	-	-	-	-	-
1"	-	-	-	-	-	-	-
¾"	-	-	-	-	-	-	-