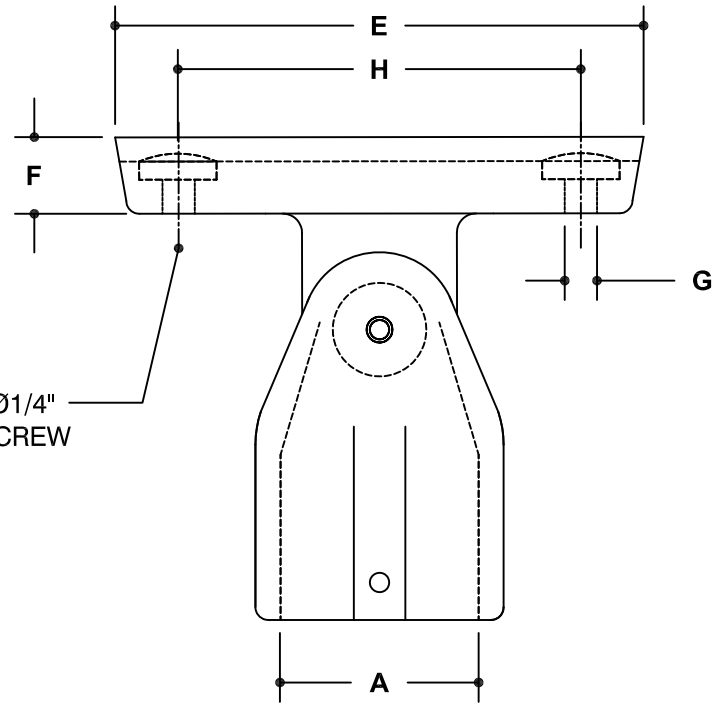
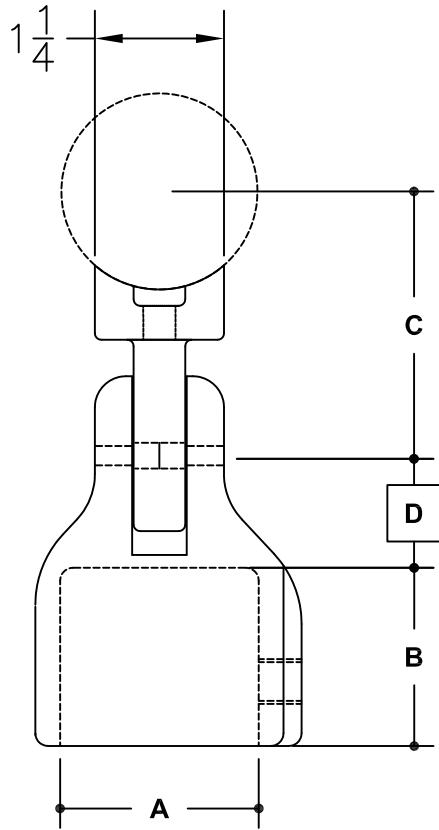


NOTE: DIMENSIONS LOCATED IN BOXES ARE COMMON  
SETBACK DIMENSIONS FOR EACH FITTING



## #151 Adjustable Speed Tee

SCALE: HALF

ENGLISH UNITS (Inches)								
PIPE SIZE	A	B	C	D	E	F	G	H
1½"	1.93	1.75	2.56	1.06	5.13	0.75	0.31	3.88
1¼"	1.68	1.44	2.44	1.13	5.13	0.75	0.31	3.88

METRIC UNITS (mm)								
PIPE SIZE	A	B	C	D	E	F	G	H
1½"	49	45	65	28	130	19	8	99
1¼"	43	37	62	29	130	19	8	99