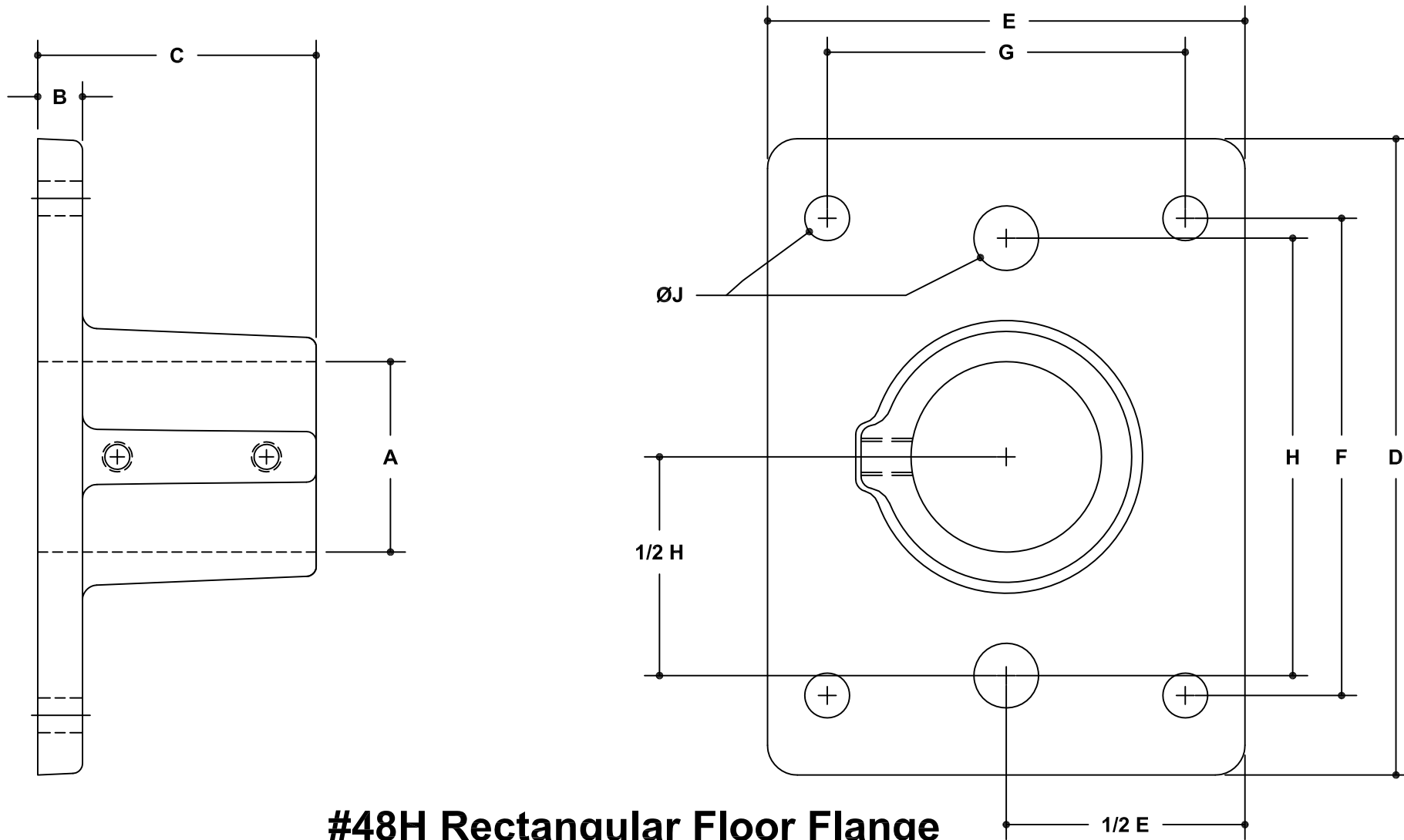


NOTE: DIMENSIONS LOCATED IN BOXES ARE COMMON  
SETBACK DIMENSIONS FOR EACH FITTING



## #48H Rectangular Floor Flange

29780 = 2 HOLE SCALE: HALF  
29790 = 4 HOLE

ENGLISH UNITS (Inches)									
PIPE SIZE	A	B	C	D	E	F	G	H	J
2"	2.40	0.56	3.50	8.00	6.00			5.50	.81
2"	2.40	0.56	3.50	8.00	6.00	6.00	4.50		.56

METRIC UNITS (mm)									
PIPE SIZE	A	B	C	D	E	F	G	H	J
2"	61	14	89	203	152			140	21
2"	61	14	89	203	152	152	114		14