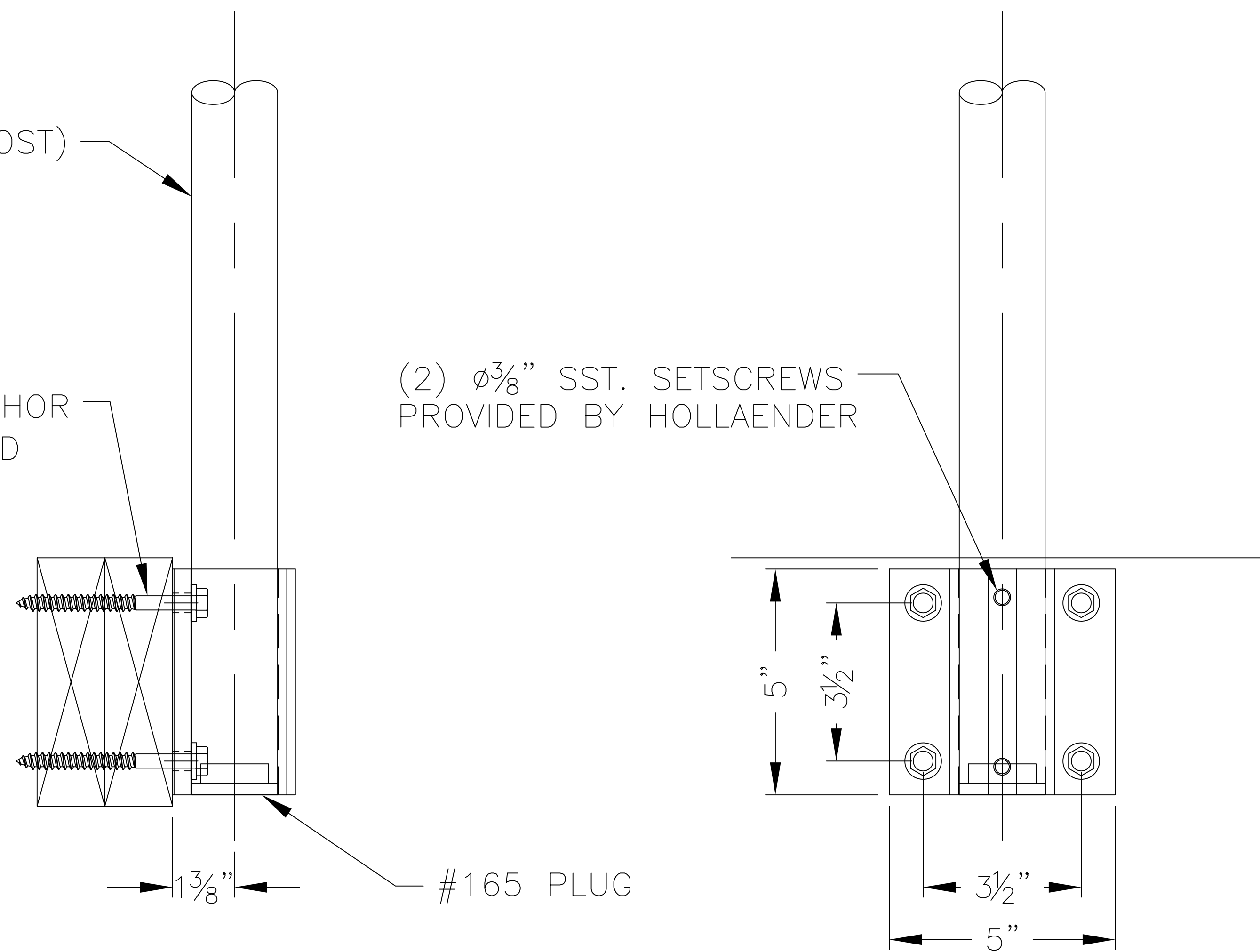


1½" SCH 80 ALUM. PIPE (POST)

(4) $\phi\frac{3}{8}$ " LAG SCREW ANCHOR
WITH 2¾" MINIMUM EMBED
PROVIDED BY OTHERS

(2) $\phi\frac{3}{8}$ " SST. SETSCREWS
PROVIDED BY HOLLAENDER



Hollaender[®]

STRUCTURAL ENGINEERING GROUP

10285 WAYNE AVENUE

CINCINNATI, OH 45215-6399

PHONE: (800) 772-8800 FAX: (800) 772-8806

WWW.HOLLAENDER.COM

**52E-8 BASE FLANGE ON
WOOD SIDE MOUNT DETAIL**